

# Single Stage LED Constant Power/Dimmable LED Driver

## DESCRIPTION

PM2012 is a high accuracy constant current Linear LED driver chip with constant power or anti-logical analog/PWM dimming. It makes LED driver system very simple, and just needs few peripheral components to achieve excellent constant power characteristics. So that, the system cost is greatly reduced while realizing simplified peripheral circuit and smaller driver volume.

PM2012 integrates programmable constant current source, and can be used independently or in parallel with multiple chips. When used in parallel, PM2012 has an extremely flexible application scheme, which can not only control multiple LEDs at the same time, but also can take into account the application of high power factor or LED lighting without flicker, and also can configure the photoelectric integration scheme with  $PF > 0.9$

PM2012 use the 500V high-voltage semiconductor manufacturing process to ensure the reliability when the input transient

high voltage appeared. And it also integrates multiple protections to enhance system reliability and safety, such as over temperature compensation, output open protection, CS open protection, etc...

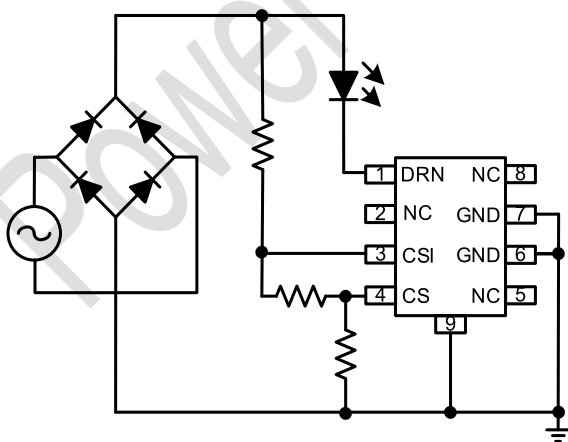
## FEATURE

- No flickering or high power factor
- Constant power or anti-logical dimming
- Analog/PWM dimming
- Support all SMD Process
- Support 120/230Vac input voltage
- Over temperature compensation
- Output open circuit protection

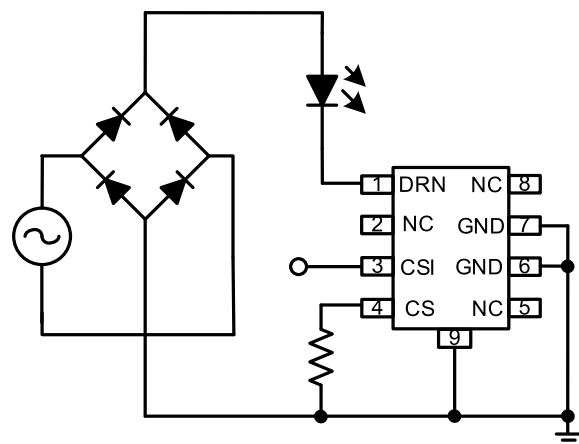
## APPLICATIONS

- LED filament light, bulb light, candle light
- LED tube light, down light, panel light
- Other Constant Current applications
- ...

## TYPICAL APPLICATION



Constant Power Application



Dimmable Application