

LARGE POWER LED LINEAR DRIVER CHIP

GENERAL DESCRIPTION

PM2014 is a larger power driver external MOSFET linear chip for LED lighting application. PM2014 achieves high accuracy constant current by using the unique close loop control technique ---**CLC**.

PM2014 integrated programmable module to setting the output current. PM2014 can use in parallel to achieves higher power application, also can use in series to achieves high Power Factor or TRIAC dimming application.

PM2014 integrated over temperature compensation protection function to increase reliability of LED system.

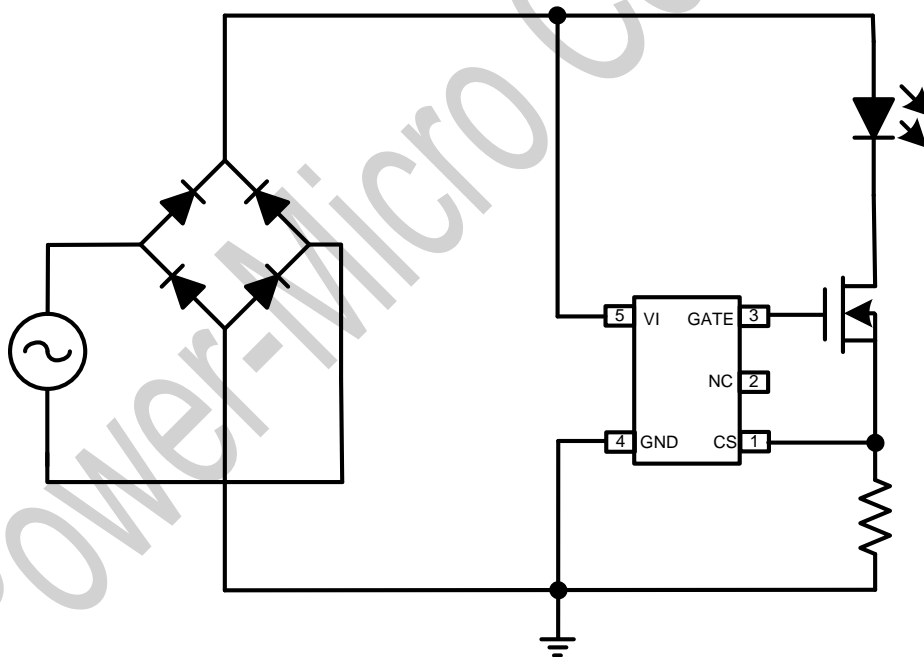
FEATURES

- Driver External MOSFETT
- 500V Direct Supply
- High Power-Factor or Without Flicker Application
- Support SMT Of Whole System
- 120Vac or 230Vac Input Voltage
- Over Temperature Compensation
- SOT23-5 Package

APPLICATIONS

- LED Outdoor Lighting
- LED Indoor Lighting
- Other Constant Current Applications
- ...

TYPICAL APPLICATION CIRCUIT



Single-Stage Application