

LED SINGLE STAGE LINEAR CHIP

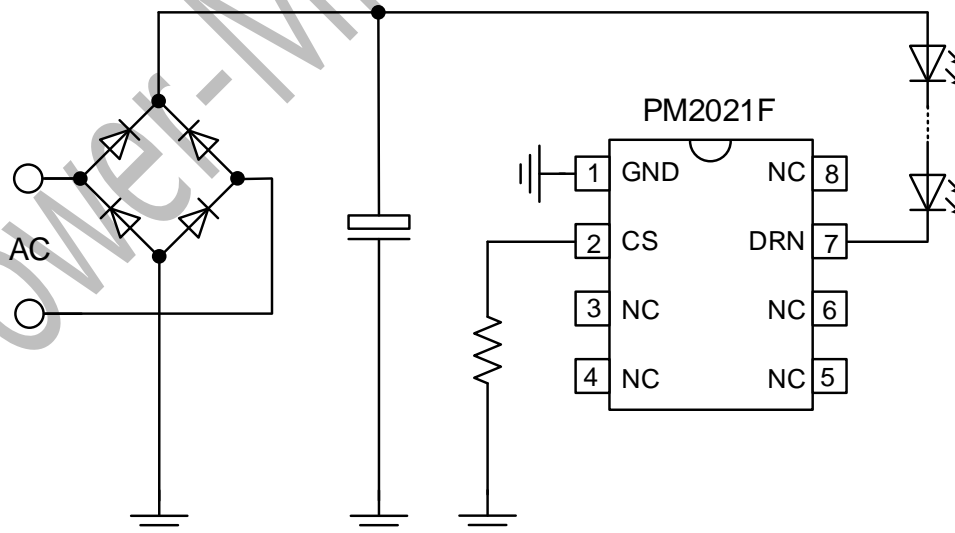
DESCRIPTION

PM2021F is a powerful high-precision linear constant current LED driver that integrates high-voltage MOSFET and JFET high-voltage power supply function. It's mainly used to drive high voltage and low current LED light strings. Because magnetic components are not required, LED drivers can achieve small size, long lifespan, and comply with EMI regulations.

PM2021F can accurately set LED current through external resistors. PM2021F use the 500V high voltage semiconductor manufacturing process to ensure the reliability when input transient high voltage appear.

PM2021F integrated over thermal compensation (OTC) to improve the reliability of the LED constant current power supply. When the input voltage is too high or the LED current is too high, this function will reduce the output current.

TYPICAL APPLICATION



FEATURE

- Peripheral minimization & small driver volume
- No need for magnetic components
- 500V high-voltage MOS, no need for varistors
- Ultra-fast LED start
- $\pm 5\%$ LED output current accuracy
- LED current can be set externally
- Over thermal compensation
- ESOP8 packaging

APPLICATIONS

- GU10/E27 LED bulb light, spot light
- LED candle light
- Other Constant Current applications