

High Performance Isolated Constant Current Driver

DESCRIPTION

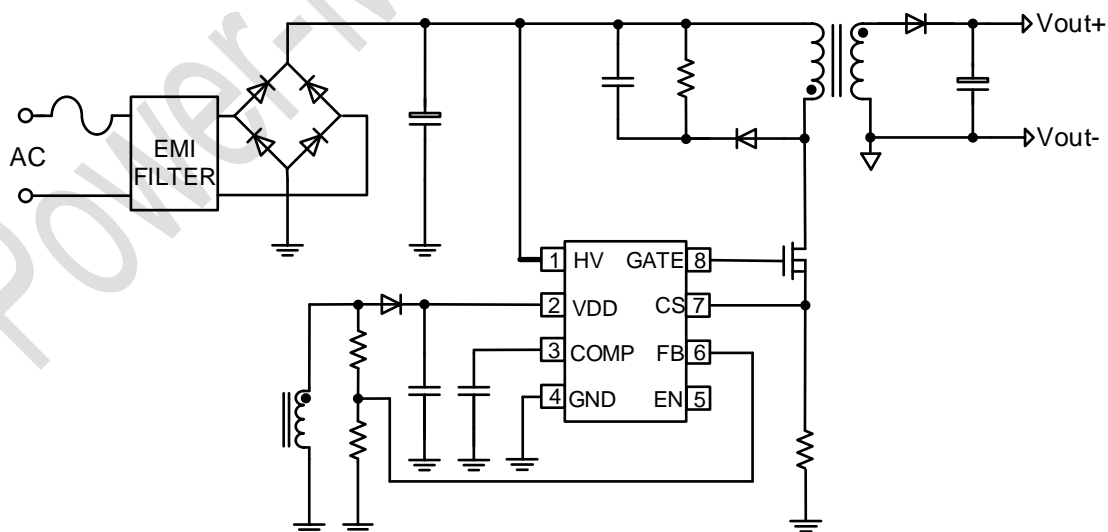
PM2213 is a isolated constant current control chip working on QR Mode. Multiple patented technologies make it possible to achieve high PF and low THD with very few external components. PM2213 is mainly used in medium power and high power isolated constant current drive power supply system.

PM2301 can achieve high precision output constant current under wide input & output voltage and peripheral inductance parameters. Combine QR mode and MOSFET drain voltage valley-bottom opening technology to achieve high efficiency and low electromagnetic interference.

PM2213 integrates multiple protection functions, such as output open circuit, over temperature protection, open circuit and short circuit protection of all pins to make sure LED driver more reliable.

PM2213 is packaged in SOP8.

TYPICAL APPLICATION



FEATURE

- Closed-loop constant current control technology
- Compatible with high PF and low THD application
- THD < 10%
- Programmable input OVP
- Programmable minimum starting voltage
- Programmable under voltage drop protection
- High-precision programmable output OVP
- Output short-circuit protection
- Over temperature compensation

APPLICATIONS

- LED constant current driver
- Isolated constant current source...