

BCM Power Factor Correction Control Driver

DESCRIPTION

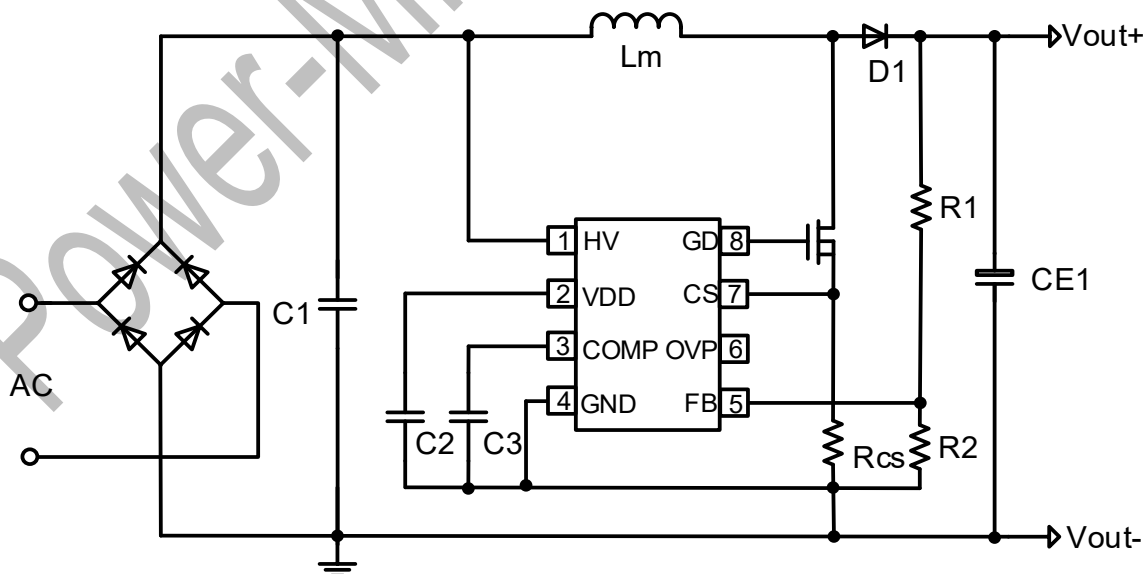
PM3303 is a Boost constant voltage power factor control driver with inductance current working in critical mode (BCM). Multiple patented technologies make it possible to achieve high PF and low THD with very few external components. PM3303 is mainly used in constant current drive power supply system with power less than 300W.

PM3303 inductance current works in critical mode (BCM), cooperates with MOSFET drain Voltage Valley-bottom opening technology to achieve high efficiency and low electromagnetic interference.

PM3303 integrates multiple protection functions, such as output open circuit, over-temperature protection, open circuit and short circuit protection of all pins to make sure LED driver more reliable.

PM3303 is packaged in SOP8.

TYPICAL APPLICATION



BOOST Application (Mainly for APFC)

FEATURE

- Low THD
- Single winding inductance
- internal ZCD technology
- Dynamic control technology
- Programmable soft start
- High voltage start-up and power supply
- QR and MOSFET driver technology
- 3% constant voltage of system
- CS resistance open circuit protection
- Over temperature compensation
- Over-voltage protection

APPLICATIONS

- Preceding stage PF correction
- Medium and high power switching power supply
- Constant voltage source...